



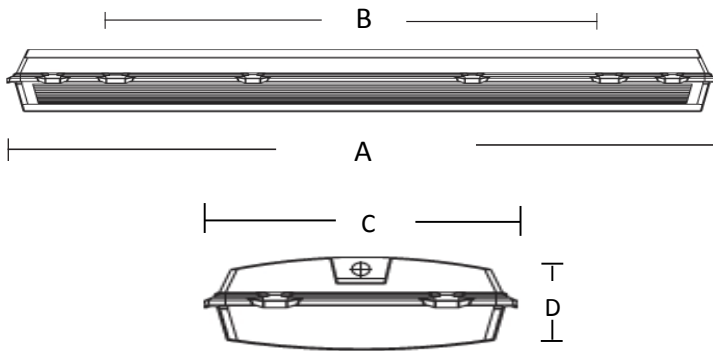
# THOR LED

THOR LED is an IP67 and IK10 rated high bay fixture suitable for adverse locations.

It features a glass reinforced polyester (GRP) body and UV stabilized polycarbonate frosted LED lens for temperature extremes and maximum impact resistance.

Key features include a polyurethane injected foam gasket to ensure IP67 rating, white powder coated reflector gear tray, stainless steel hardware and latches to provide durability and chemical resistance.

Mounting selections include V Hook Suspension or Rigid Mounting Beam.



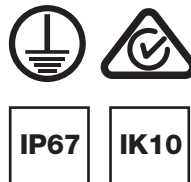
## Technical information

### Features

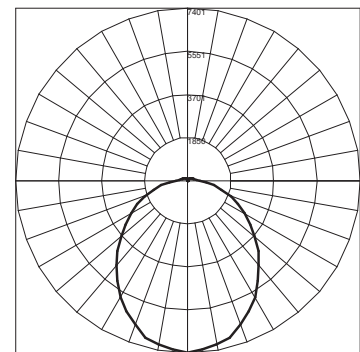
- Impact Resistant IK10 High Transmission Frosted LED Lens
- IP67 Rated Glass Reinforced Polyester Weatherproof body designed to minimize horizontal surfaces prone to retaining debris.
- High Efficiency and long life Zhaga LED Light Source
- Typical LED Life L90 / B10 > 60,000 hours
- High Temperature Surge Protected Industry Control gear
- Correlated Colour Temperature 4000K
- Colour Rendering Index >80
- Typical Luminaire Efficiency of 130LPW
- Dimming Options include Wireless Bluetooth, DALI, DSI and SwitchDim
- Control Options include Sensors that provide ON / OFF or 10% - 100% Corridor Function Operation
- Emergency Pack Options available include Single Point or DALI
- 5 year warranty T&C's apply

### Applications

Warehouses, Halls, Schools, Wet areas, Food Industry or Refrigerated Storage Spaces with the option of a \*ventilation plug



## Polar Distribution Curve



THL20K8L

### Wiring Options

### Code

Wireless Bluetooth	-BT
DALI, DSI & SwitchDIM	-D
Emergency Single Point	-EM
Emergency DALI	-DEM
*Sensor	-S

### Mounting Options

### Code

Rigid Mounting Beam	-RB
Suspended V Hook	-SUS

Product Code	Delivered Lumens	Wattage	Mounting	Nominal Dim (mm)			
				A	C	D	B
THL14K8L	14000	105	Surface	1319	371	151	915
THL20K8L	20000	150	Surface	1319	371	151	915

Custom Lumen packages are available on request.

\*Contact Australume for project specific requirements